

# UTP Cat6



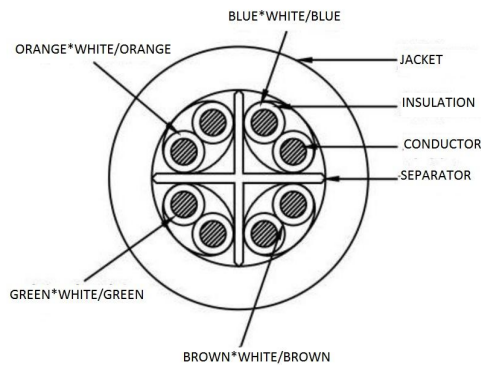
## Key Features

- Durable break-resistant connector
- Copper terminals with anti-oxidation Nickel & Gold plating
- Extra wide latch for quick connection/removal
- Dual PVC jackets with high strength and heat resistance
- Pure copper wire core , each formed by 7 independent wire to conduct with low resistance
- 50um plating connectors durable over 1000 repeated plug and unplug
- Velcro strap for easy storage

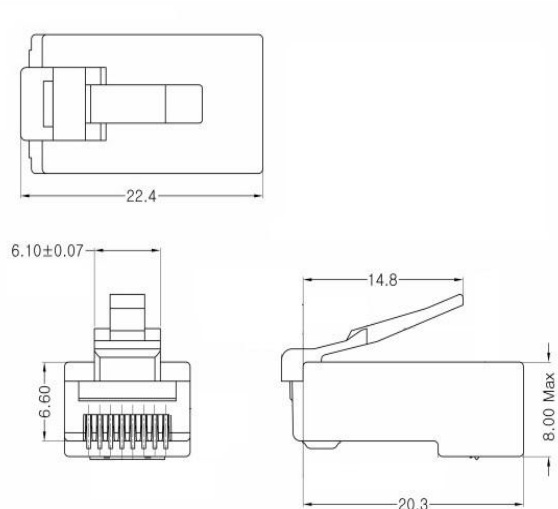
## Specification

<b>Conductor</b>	Wire Gauge	24AWG		
	Material	Bare Copper Twisted Pair		
	Cord Size	7/0.2/BC±0.008		
<b>Insulation</b>	Avg.Thickness	0.2mm		
	Min.Thickness	0.16mm		
	Material	HD-PE		
	Color	Orange*White/Orange, Green*White /Green, Blue*White/Blue, Brown*White/Brown		
	Diameter	0.98±0.03mm		
<b>Jacket</b>	Avg.Thickness	0.6±0.05mm		
	Material	PVC		
	Color	Matte Black		
	Diameter	OD=6.5±0.15mm		
<b>Performance</b>		PoE: Not supported when cable is over 2m.		
<b>Physical</b>	Weight	1.2m	0.068kg/pcs	3.65kg/(Pack:50pcs)
		1.5m	0.082kg/pcs	3.65kg/(Pack:40pcs)

## Cross Section



## Connectors Dimension



## Order Codes

Product Code	Item
940-0001-20-11-0	1.2m UTP Cat6 Cable
940-0003-00-11-0	3.0m UTP Cat6 Cable
940-0010-00-11-0	10m UTP Cat6 Cable
940-0020-00-11-0	20m UTP Cat6 Cable
940-0030-00-11-0	30m UTP Cat6Cable
940-0050-00-11-0	50m UTP Cat6 Cable
940-0100-00-11-0	100m UTP Cat6 Cable

Tel: +86-592-5771197 | Fax: +86-592-5788216 | E-mail: sales@rgbink.com

Headquarter: oom 601A, No. 37-3 Banshang community, Building 3, Xinke Plaza, Torch Hi-Tech Industrial Development Zone, Xiamen, China

Specifications are correct at time of printing and subject to change or alteration without notice.

**RGBlink**  
www.rgbink.com

