

**DS-3WRU9X**  
**AX900 Wi-Fi 6 Nano USB Adapter**



- Elevate Your Connectivity with Wi-Fi 6
- Real 5dBi High Gain Antenna for Stronger Connection
- Compatible with Various Operating Systems
- Built-in driver, one-click setup

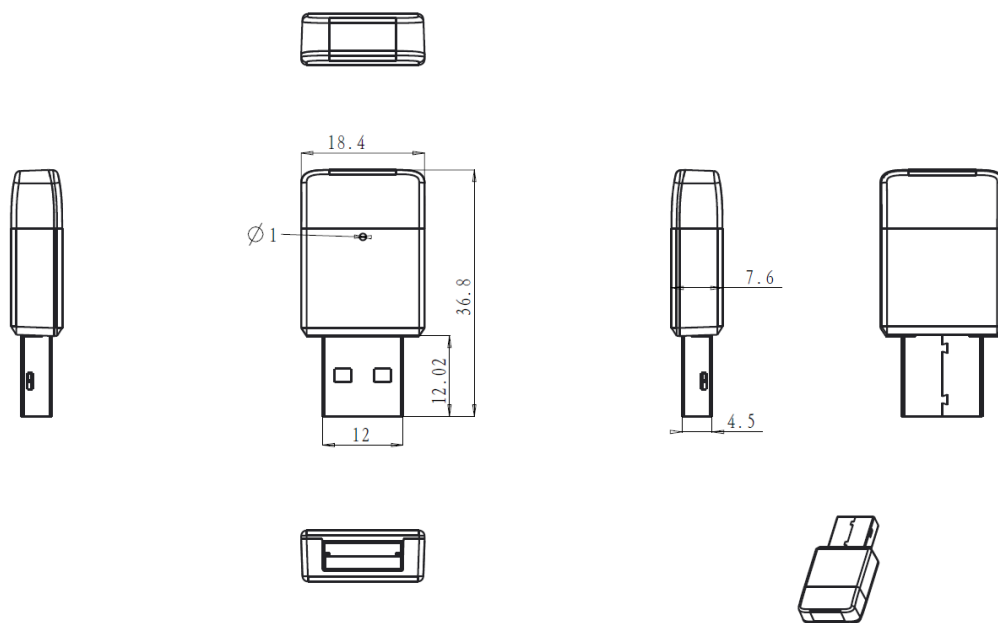
## ▪ Specification

General	
Product Dimension (W × H × D)	36.8mm*18.5mm*7.6mm
Package Dimension (W × H × D)	95mm×95mm×15mm
Net Weight	0.002 kg
Packing List	Wireless USB Adapter × 1 Quick Start Guide × 1 Regulatory Compliance and Safety Information × 1
Packing Method	Single pack
Working Temperature	0 °C to 40 °C (32 °F to 104 °F )
Working Humidity	10% to 90% RH non-condensing
Storage Temperature	-40 °C to 70 °C (-40 °F to 158 °F )
Storage Humidity	30% to 90% RH non-condensing
Max. Power Consumption	≤ 2.41 W
Gross Weight	0.021 kg
Wireless Parameter	
Data Rate	≤ 900 Mbps 5GHz: 600Mbps 2.4GHz: 286Mbps
Wireless Standard	IEEE802.11b, IEEE 802.11g, IEEE 802.11n, IEEE 802.11a, IEEE 802.11ac, IEEE 802.11ax
Working Frequency Band	2.4 GHz , 5 GHz
Transmitting Power	2.4GHz<20dBm (EIRP); 5GHz<23dBm (EIRP)
Wireless Performance	1*1 MIMO supported
Receiving Sensitivity	2.4GHz<20dBm (EIRP); 5GHz<23dBm (EIRP)
Antenna	Internal Antenna
Hardware Parameter	
Power Supply Method	USB
Software Function	
Application function	Station Mode , Soft AP Mode
Security Mode	WPA-PSK / WPA2-PSK, WPA / WPA2 supported
Supported Operating System	win7/10/11/linux

## ▪ Available Model

DS-3WRU9X

## ▪ Dimension



# See Far, Go Further



[www.hikvision.com](http://www.hikvision.com)  
[support@hikvision.com](mailto:support@hikvision.com)

