

11 in 1 USB-C HUB Multiport Adapter

User Manual

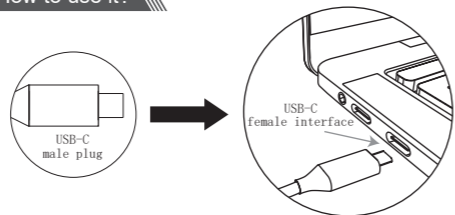
Introduction

Thank you for choosing our products, please use the USB-C Hub according to the user manual. USB-C multiport adapter brings convenience to your life and work. If you have any questions, please contact us via Purchase platform message. Our excellent customer service team will quickly solve your problems.

Package Contents

1. 11 in 1 USB-C Hub * 1
2. Instruction * 1

How to use it?

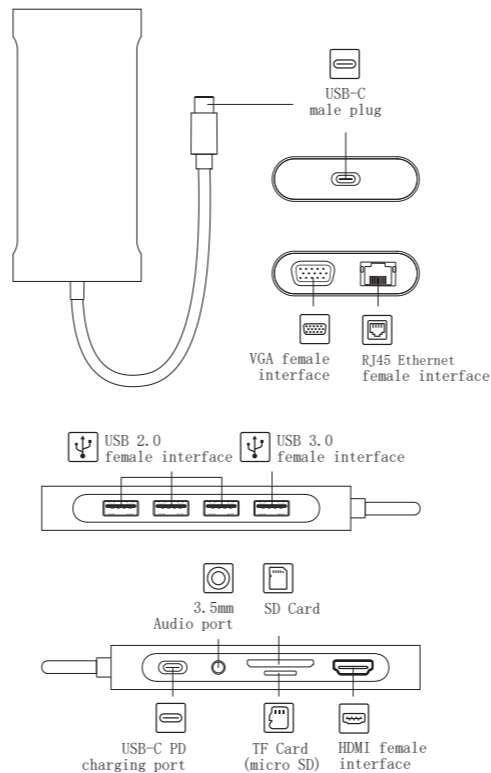


- > Make sure your equipment and connection cable are working properly before you use them.
- > Usb-c interface supports forward and backward plug and play, and there is no need to install drivers for the HUB.
- > When removing the device, please remove the device according to the system specification, otherwise it may cause data loss and equipment damage.
- > It is not recommended to use the USB-A interface to charge other devices because the current is low and the charging speed is slow.

> If the product does not work properly, please check as follows:

- (1) know whether the model of your Original equipment is compatible with the product;
- (2) check whether the Original equipment and connecting wire can be used normally;
- (3) replace the equipment or connect the cable to operate again and verify;
- (4) for more problems, please contact us through purchasing platform information.

Product Diagram



Product Specification

Model	TW11A		
Material	Aluminum Alloy / ABS		
Interface	1 x USB 3.0 1 x RJ45 3 x USB 2.0	1 x HDMI 1 x SD Card	1 x VGA 1 x TF Card
Dimension	1 x USB-C PD 119 x 56 x 18mm		
Weight	91.7g		
Certification	CE FCC ROHS		
Support	Mac OS/Windows/Android		
Plug and Play	No need to install drivers		

Product Parameters

HDMI port:	support resolution up to 4K/30Hz.
VGA port:	support resolution up to 1080p/60Hz.
PD charging port:	Support PD3.0, maximum power support 100W.
Ethernet port:	Support 100m network, adaptive 10 / 100Mbps broadband.
Audio port:	3.5mm audio output, must be used with HDMI or VGA interfaces to output audio.
USB 3.0 port:	Complies with USB 3.0 specification, transfer rate up to 5Gbps, and is compatible with USB 2.0/1.1.
USB 2.0 port:	Compliant with USB 2.0 specification, maximum transfer rate 480Mbps, and compatible with USB 1.1.
SD & TF port:	Comply with USB2.0 specification, SD / TF card reader, support single disk and single card.

Product Q & A

Question	Why doesn't my mobile hard drive work anymore?
Answer	Mechanical hard disk, solid state hard disk, etc. are high-power devices. The power of full load state is 2*10W. External PD power supply is needed to ensure the normal use of device-related functions. Conventional U-disks, mice, keyboards, etc. are small power devices that can be plugged in directly.
Question	Why does the product feel hot when used?
Answer	when electronic products are used, heat will be generated. The body of this product is aluminum alloy shell, which can quickly export the heat to the surface. When the product is fully loaded, the temperature of the metal shell is about 55 degrees (the temperature of the experimental environment is 25 degrees). According to gb4943.1-2011 standard, the metal material of the equipment held in a short time shall not exceed 60 degrees. The temperature is within the standard range, so please feel free to use it.
Question	Why doesn't part of my docking station work?
Answer	Please confirm whether the type-C interface of your device (notebook, mobile phone, tablet) is a full function interface. If the type-C interface of the device itself is not a full function interface, the device does not support full function use, but only supports the corresponding function use of the device type-C interface.

Security information

Failure to follow the safety instructions below may result in fire, electric shock, damage or other injury.

- Don't place the product in corrosive environment;
- Don't use in high temperature, low temperature, humidity, dusty environment and long-term exposure to sunlight, and keep away from fire sources.
- The ambient temperature of the product is maintained at 0-45 C.